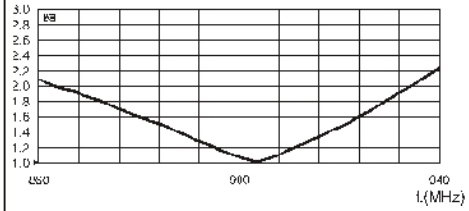


# GP 901 C

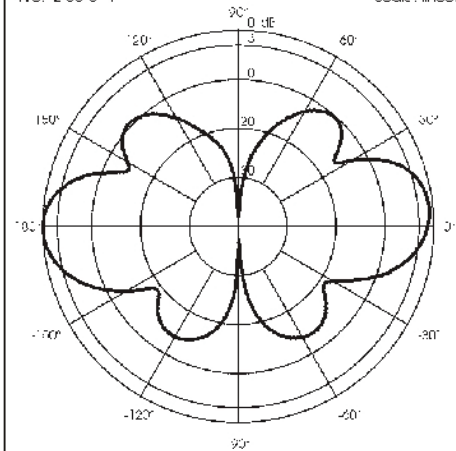
## TYPICAL S.W.R. RESPONSE

S.W.R. Model: GP 901 C File: F03-014



## TYPICAL RADIATION PATTERN in E-plane at mid-band

File: E-C3-014 Scale: linear



# GP 901 C

UHF Base Station Antenna 870 - 960 MHz



GP 901 C

*Installation Manual*

## DESCRIPTION

UHF colinear Ground Plane antenna suitable for the base station service covering the frequency range of 870 - 960 MHz. The main whip and the radials are made of 17/7 PH stainless steel and its base is of chromed brass to get the best robustness. Easy to fit, it is suitable for a handy installation everywhere.

## SPECIFICATIONS

### Electrical Data

Type :  $1/4 \lambda + 2 \times 1/2 \lambda$  Colinear

Frequency Range : 870-960 MHz

Impedance : 50 Ohm

Polarization : Linear Vertical

Max Gain : 6 dBd, 8.14 dBi

3 dB Beamwidth Vertical :  $25^\circ$  @ 915 MHz

Beamwidth Horizontal :  $360^\circ$  omnidirectional

Radiation Angle deg. :  $6^\circ$

Max Power : 50 Watts (CW) @  $30^\circ$  C

Connector type : N-female, gold plated central pin

### Mechanical Data

Housing Materials : Stainless Steel, Aluminium, Chromed Brass

Wind Load / Resistance : 23N @ 150 Km/h / 180 Km/h

Wind Surface :  $0.015 \text{ m}^2$

Height (approx.) : 580 mm

Weight (approx.) : 670 gr

Radial Length (approx.) : 75 mm

Operating Temperature :  $-40^\circ \text{ C}$  to  $80^\circ \text{ C}$

Mounting Mast :  $\varnothing$  35-54 mm

## MOUNTING INSTRUCTIONS

Part list		
Pos	Q .ty	Description
1	1	Black stainless steel whip
2	1	Chromed base
3	1	$\varnothing$ 29x32x250mm alu. tube
4	4	$\varnothing$ 5mm Stainless steel radials
5	4	$\varnothing$ 5mm plastic caps
6	4	Nylon radials reinforce
7	4	M4x5 hexagon socket set screw
8	1	2mm exagonal key
9	3	M4x6 phillips screws
10	3	M4 washer
11	2	Extruded aluminium bracket
12	2	M6x188 V-bolt
13	2	M6x20 Hexagonal head screw
14	6	M6 Spring lock washer
15	6	M6 Hexagonal nut

